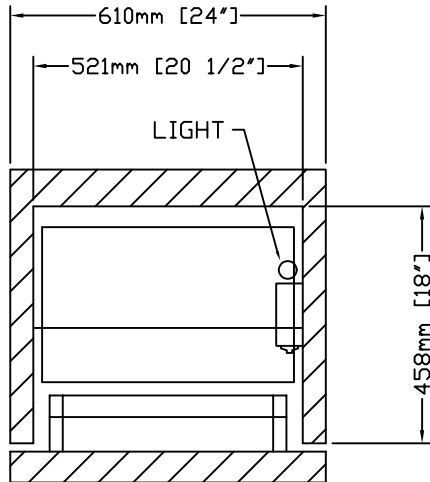
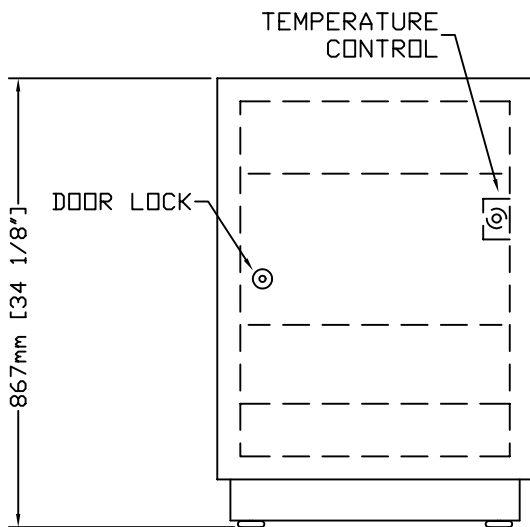


MODEL REF065A14

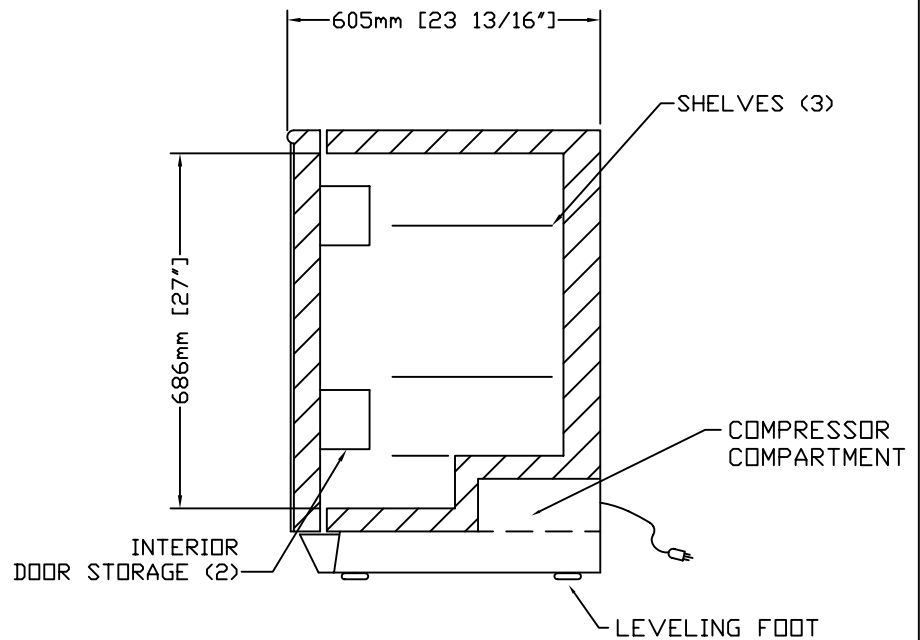
LABORATORY FREEZER



TOP VIEW-SECTION



FRONT VIEW



SIDE VIEW-SECTION

3/2005

REVCO

REVCO
275 Aiken Road
Asheville, NC 28804
TEL. 1-800-252-7100
TEL. 828-658-2711 FAX 828-658-0363

MODEL REF065A14

GENERAL SPECIFICATIONS

EXTERIOR - WHITE TEXTURED VINYL ON STEEL

WIDTH 610mm (24") DEPTH 605mm (23.8") HEIGHT 867mm (34.1")

INTERIOR - SEAMLESS LINER OF VACUUM-FORMED ABS PLASTIC

WIDTH 521mm (20.5") DEPTH 458mm (18") HEIGHT 686mm (27")

INSULATION - FOAMED-IN-PLACE POLYURETHANE

GASKET - MAGNETIC

DOOR - SOLID, KEY LOCK

SHELVES - (3) TEMPERED GLASS, ADJUSTABLE, (2) FULL-LENGTH

(1) HALF-LENGTH, REMOVABLE

(2) DOOR SHELVES, REMOVABLE

FEET - (4) LEVELING

LIGHT - INTERIOR, INCANDESCENT

CONTROL - (1) THERMOSTATIC, MAY BE SET FOR DESIRED TEMPERATURE

-12°C TO -20°C (10°F TO -4°F), FACTORY SET TO -20°C (-4°F)

DEFROST - MANUAL

COMPRESSOR - 1/6 H.P., R134A REFRIGERANT, NOMINAL BTU'S TO ROOM

AMBIENT - 65 WATTS (221 BTU'S/HR)

DECIBEL RATING - 28 dBA

CAPACITY - 184 L (6.5 CU. FT.)

ELECTRICAL DATA - 120/60/1 2.5 AMPS

SHIPPING WEIGHT - 56 KG (123 LBS)

SHIPPING VOLUME - .4 CU. METERS (14.1 CU. FEET)