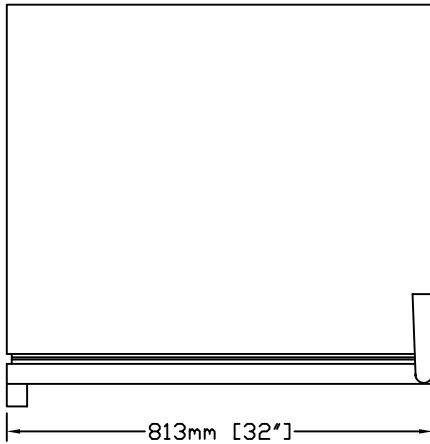
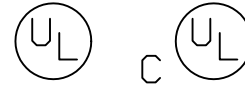
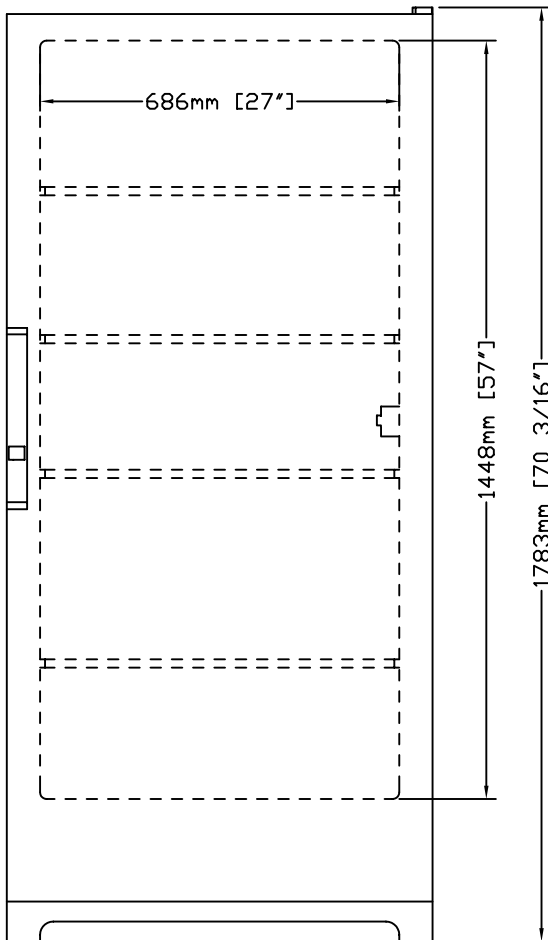


# MODEL REF2117A

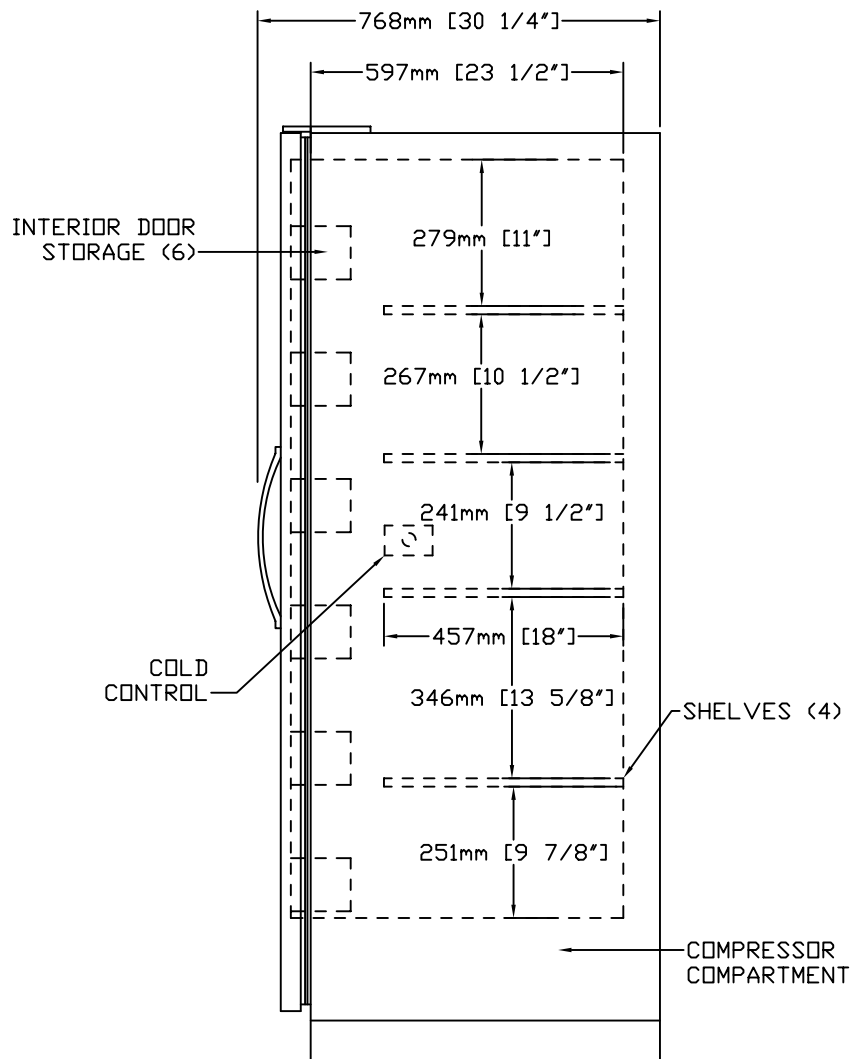
## LABORATORY FREEZER



TOP VIEW



FRONT VIEW



SIDE VIEW

11/2003

# REVCO

REVCO  
 275 Aiken Road  
 Asheville, NC 28804  
 TEL. 1-800-252-7100  
 TEL. 828-658-2711 FAX 828-658-0363

# MODEL REF2117A

## GENERAL SPECIFICATIONS

EXTERIOR - WHITE TEXTURED VINYL ON STEEL

WIDTH 813mm (32") DEPTH 768mm (30.2") HEIGHT 1783mm (70.2")

INTERIOR - WHITE TEXTURED VINYL ON STEEL

WIDTH 686mm (27") DEPTH 597mm (23.5") HEIGHT 1448mm (57")

INSULATION - FOAMED-IN-PLACE POLYURETHANE

GASKET - MAGNETIC

DOOR - SOLID, KEY LOCK

SHELVES - (4) ALUMINUM, STATIONARY

(6) BUILT-IN DOOR SHELVES

FEET - (4) LEVELING, FRONT ONLY

CONTROL - (1) THERMOSTATIC, MAY BE SET FOR DESIRED TEMPERATURE

-12°C TO -20°C (10°F TO -4°F), FACTORY SET TO -20°C (-4°F)

DEFROST - MANUAL

COMPRESSOR - 1/4 H.P., R134a REFRIGERANT, NOMINAL BTU'S TO ROOM

AMBIENT - 121 WATTS (412 BTU'S/HR)

DECIBEL RATING - 45 dBA

CAPACITY - 586 L (20.7 CU. FT.)

ELECTRICAL DATA - 120/60/1 1.8 AMPS

SHIPPING WEIGHT - 114 KG (250 LBS)

SHIPPING VOLUME - 2 CU. METERS (69 CU. FEET)