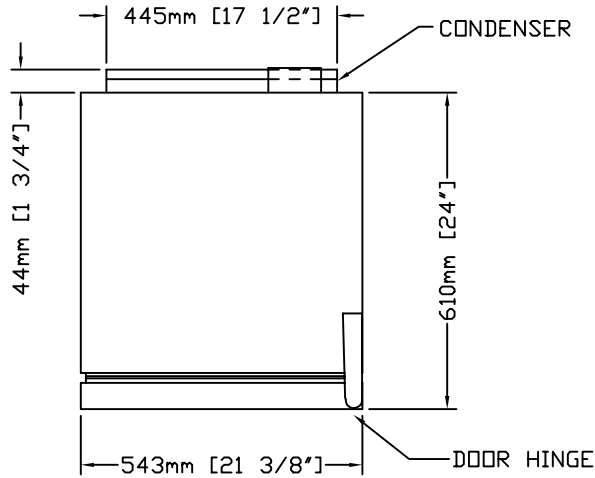
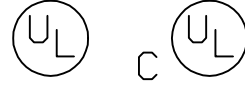
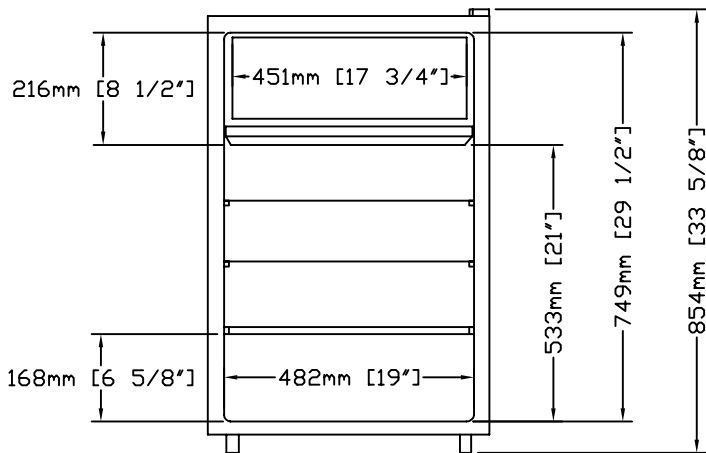


MODEL RFS54A

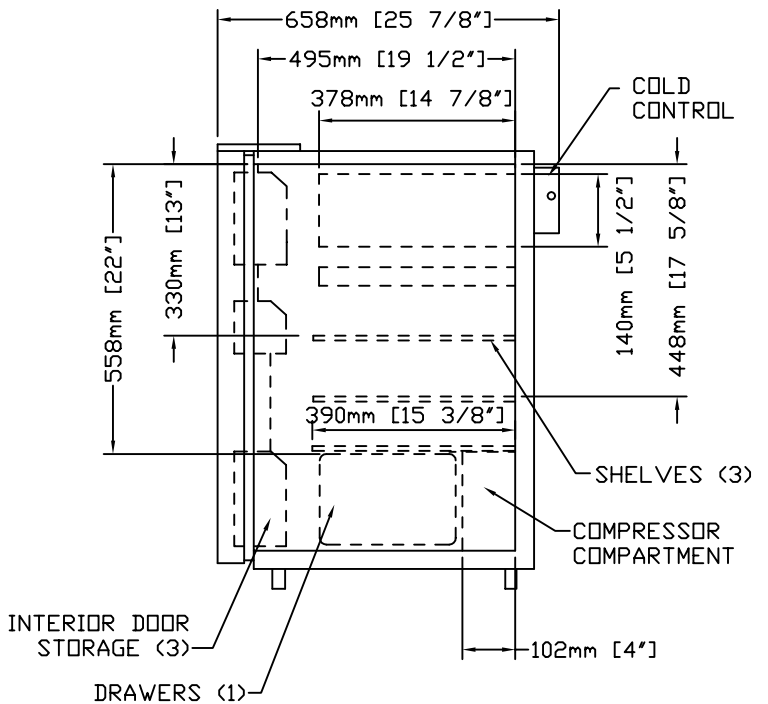
FLAMMABLE STORAGE
REFRIGERATOR/FREEZER



TOP VIEW



FRONT VIEW-SECTION



SIDE VIEW

07/2004

REVCO

REVCO
275 Aiken Road
Asheville, NC 28804
TEL. 1-800-252-7100
TEL. 828-658-2711 FAX 828-658-0363

MODEL RFS54A

GENERAL SPECIFICATIONS

EXTERIOR - WHITE TEXTURED VINYL ON STEEL

WIDTH 544mm (21.4") DEPTH 658mm (25.9") HEIGHT 853mm (33.6")

INTERIOR - SEAMLESS LINER OF VACUUM-FORMED ABS PLASTIC

FREEZER WIDTH 452mm (17.8") DEPTH 378mm (14.9") HEIGHT 132mm (5.2")

COOLER WIDTH 483mm (19") DEPTH 495mm (19.5") HEIGHT 533mm (21")

INSULATION - FOAMED-IN-PLACE POLYURETHANE

GASKET - MAGNETIC

DOOR - SOLID, NO LOCK

SHELVES - (1) GLASS, NON-ADJUSTABLE, (2) WIRE, NON-ADJUSTABLE,
(3) BUILT-IN DOOR SHELVES

FEET - (2) LEVELING, FRONT ONLY

CONTROL - (1) THERMOSTATIC, MAY BE SET FOR DESIRED TEMPERATURE

REFRIGERATOR +2°C TO +10°C (36°F TO 50°F), FACTORY SET TO +4°C (39°F)

FREEZER - TEMPERATURE UNCONTROLLED

DEFROST - MANUAL

COMPRESSOR - 1/20 H.P., R134a REFRIGERANT, NOMINAL BTU'S TO ROOM

AMBIENT - 52 WATTS (177 BTU'S/HR)

DECIBEL RATING - 45 dBA

CAPACITY - 14 L (0.5 CU. FT.) FREEZER, 144 L (5.1 CU. FT.) REFRIGERATOR

ELECTRICAL DATA - 120/60/1 .9 AMPS

SHIPPING WEIGHT - 35 KG (78 LBS)

SHIPPING VOLUME - .7 CU. METERS (25 CU. FEET)