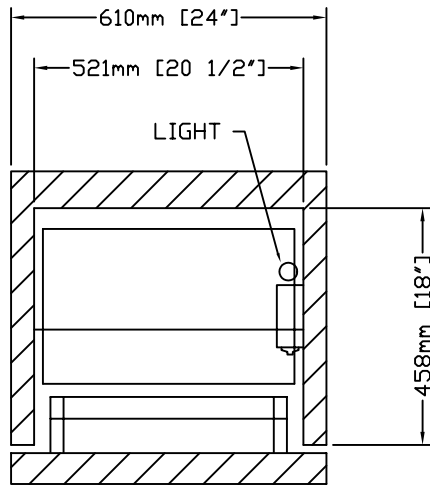
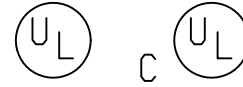
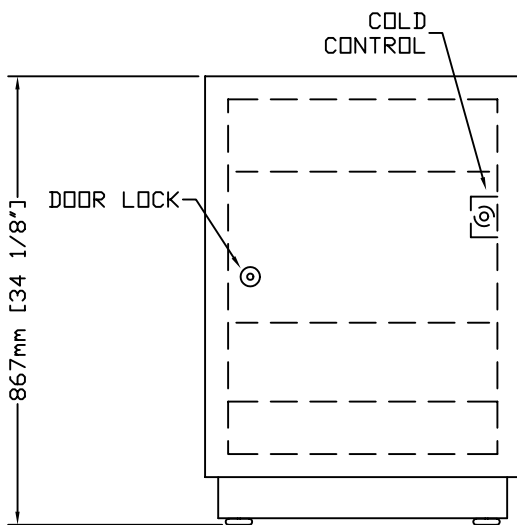


MODEL RLR065A14

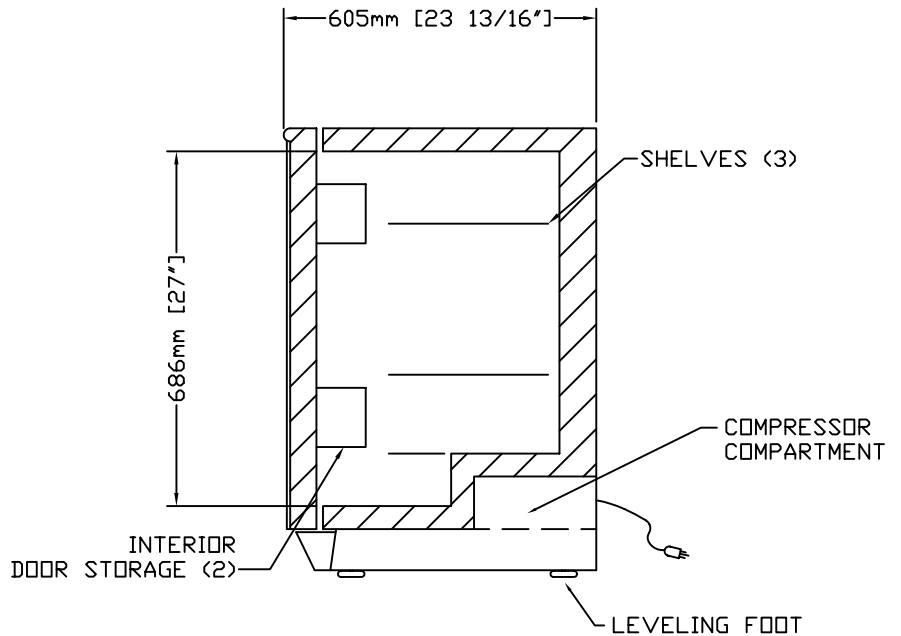
LABORATORY REFRIGERATOR



TOP VIEW-SECTION



FRONT VIEW



SIDE VIEW-SECTION

3/2005

REVCO

REVCO
275 Aiken Road
Asheville, NC 28804
TEL. 1-800-252-7100
TEL. 828-658-2711 FAX 828-658-0363

MODEL RLR065A14

GENERAL SPECIFICATIONS

EXTERIOR - WHITE TEXTURED VINYL ON STEEL
WIDTH 610mm (24") DEPTH 605mm (23.8") HEIGHT 867mm (34.1")
INTERIOR - SEAMLESS LINER OF VACUUM-FORMED ABS PLASTIC
WIDTH 521mm (20.5") DEPTH 458mm (18") HEIGHT 686mm (27")
INSULATION - FOAMED-IN-PLACE POLYURETHANE
GASKET - MAGNETIC
DOOR - SOLID, KEY LOCK
SHELVES - (3) TEMPERED GLASS, ADJUSTABLE, (2) FULL-LENGTH,
(1) HALF-LENGTH, REMOVABLE
(2) DOOR SHELVES, REMOVABLE
FEET - (4) LEVELING
LIGHT - INTERIOR, INCANDESCENT
CONTROL - (1) THERMOSTATIC, MAY BE SET FOR DESIRED TEMPERATURE
+2°C TO +8°C (36°F TO 46°F), FACTORY SET TO +4°C (39°F)
DEFROST - MANUAL
COMPRESSOR - 1/12 H.P., R134A REFRIGERANT, NOMINAL BTU'S TO ROOM
AMBIENT - 60 WATTS (204 BTU'S/HR)
DECIBEL RATING - 35 dBA
CAPACITY - 184 L (6.5 CU. FT.)
ELECTRICAL DATA - 120/60/1 2.5 AMPS
SHIPPING WEIGHT - 52 KG (116 LBS)
SHIPPING VOLUME - .4 CU. METERS (14.1 CU. FEET)

NOTE: DESIGN OR SPECIFICATIONS SUBJECT
TO CHANGE WITHOUT NOTICE

3/2005