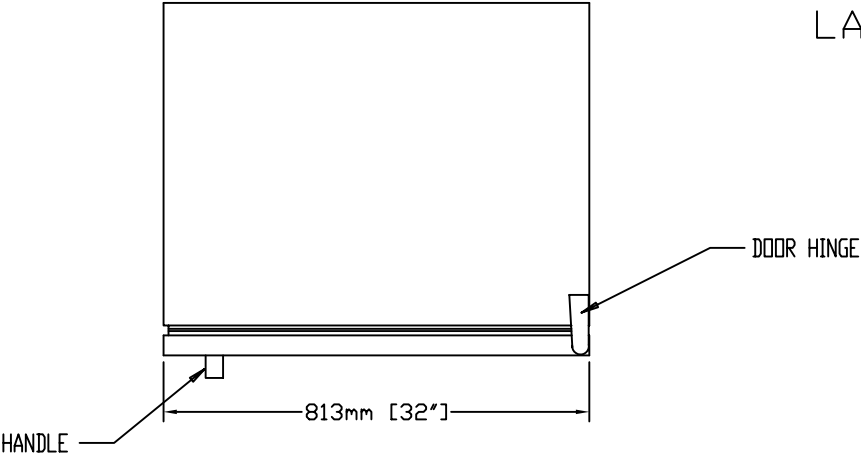
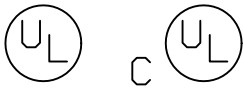
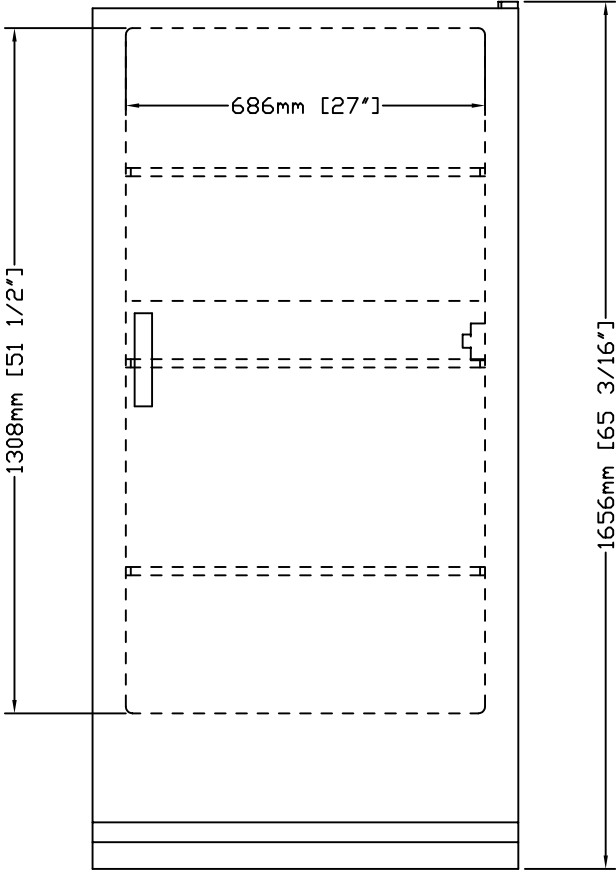


# MODEL RLR1611A

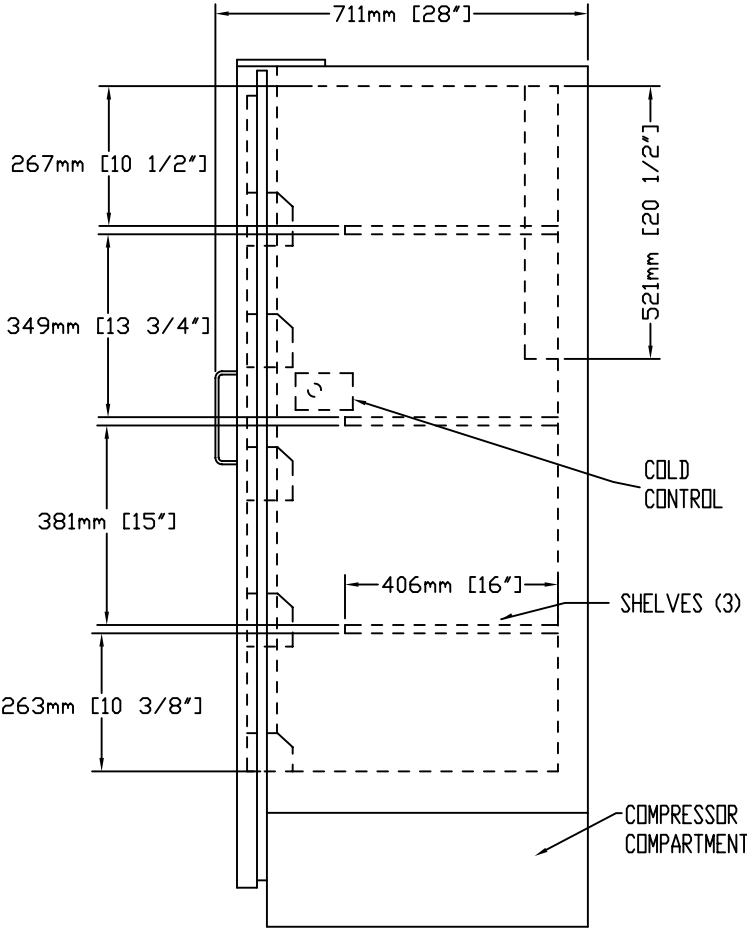
## LABORATORY REFRIGERATOR



TOP VIEW



FRONT VIEW



SIDE VIEW

11/2003

**REVCO**  
 275 Aiken Road  
 Asheville, NC 28804  
 TEL. 1-800-252-7100  
 TEL. 828-658-2711 FAX 828-658-0363

# MODEL RLR1611A

## GENERAL SPECIFICATIONS

EXTERIOR - WHITE TEXTURED VINYL ON STEEL

WIDTH 813mm (32") DEPTH 711mm (28") HEIGHT 1656mm (65.2")

INTERIOR - WHITE TEXTURED VINYL ON STEEL

WIDTH 686mm (27") DEPTH 457mm (18") HEIGHT 1308mm (51.5")

INSULATION - FOAMED-IN-PLACE POLYURETHANE

GASKET - MAGNETIC

DOOR - SOLID, KEY LOCK

SHELVES - (3) ALUMINUM, NON-ADJUSTABLE, (5) BUILT-IN DOOR SHELVES

FEET - (4) LEVELING, FRONT ONLY

CONTROL - (1) THERMOSTATIC, MAY BE SET FOR DESIRED TEMPERATURE

+2°C TO +10°C (36°F TO 50°F), FACTORY SET TO +4°C (39°F)

DEFROST - MANUAL

COMPRESSOR - 1/4 H.P., R134a REFRIGERANT, NOMINAL BTU'S TO ROOM

AMBIENT - 86 WATTS (295 BTU'S/HR)

DECIBEL RATING - 45 dBA

CAPACITY - 411 L (14.5 CU. FT.)

ELECTRICAL DATA - 120/60/1 5 AMPS

SHIPPING WEIGHT - 107 KG (235 LBS)

SHIPPING VOLUME - 1.7 CU. METERS (61 CU. FEET)